

LEDmat®	Touch LED Dimmer, constant voltage, 12/24vDC, max.30/50W Order No. 2151Ax/2153Ax
	Installation and Operating Instructions

1.0 Intended Use

The touch LED Dimmer, constant voltage, is intended for the operation of dimmable single colour e.g. constant voltage LED strips or comparable dimmable single colour constant voltage LED lamps/lights from the 12/24vDC board supply system. Maximum output: 12v 30w; 24v 50w. For use in dry rooms only.

2.0 Functional Features

The touch dimmable constant voltage LED Driver's special electrical protection functions are designed for the harsh environmental conditions on board. It's dimming features allow comfortable, current-saving LED lighting systems.

Safety Note

- install by competent personnel only
- as spare, use a mini blade fuse 3A only
- **Reverse Polarity** destroys device - no warranty!



3.0 Installation

Caution: Prior to Installation

- **disconnect the board supply - no voltage present**

Connect the device as shown on the wiring diagram. It should be mounted in a cool and ventilated location, away from sources of heat. Keep the wires to the e.g. LED Strips as short as possible.

4.0 Operation

Is done by touching the middle of the faceplate with the finger tip. Functions:

- short touch (<1 s): from OFF to fully ON or from ON to OFF.
- LED's are ON: long touch (>1 s) and hold: changes brightness
- LED's are OFF: long touch (>1 s): ON with auto-off after 60 min.
- the backlight on the device is blinking if proximity or any touch is detected

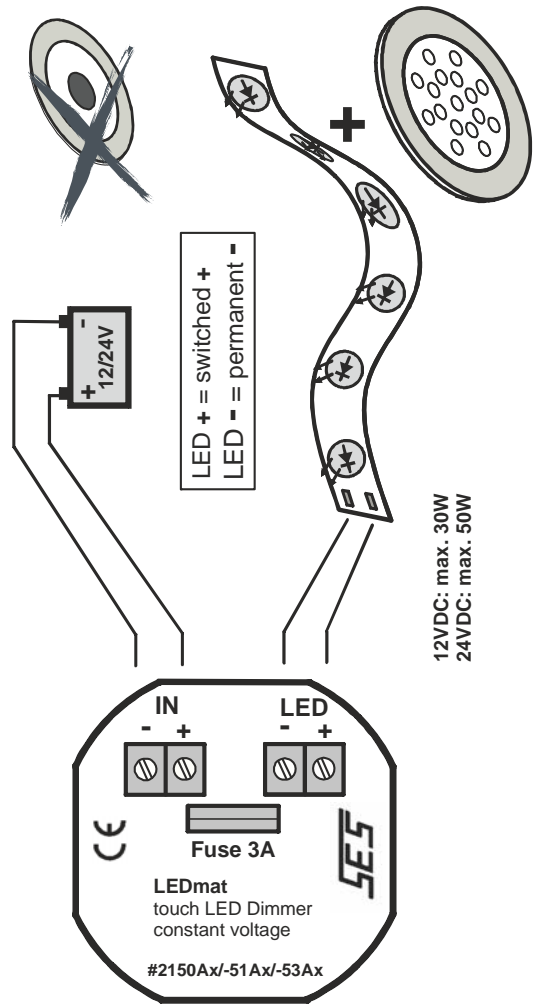
5.0 Liability: The manufacturer can not be held responsible for damage resulting from the use of the touch dimmable constant voltage LED Driver.

Any non-observance of the installation and operating instructions may cause fire or other hazards.



file: ses\instruct\bed\ba2151A0r.LWP rev. 06/20 © 2015-2020 SES	
SES Services GmbH	info@ses-services.net

Lösung / Solution	sicherstellen, dass LED-Leuchte dimmbar ist, wie z.B. bei LED-Streifen <i>make sure that LED luminaire is dimmable as for example LED Strips</i>
Problem	dimmt nicht <i>no dimming</i>



LEDmat®	Touch LED Dimmer, constant voltage, 12/24vDC, max.30/50W Order No. 2151Ax/2153Ax
	Installation and Operating Instructions

1.0 Intended Use

The touch LED Dimmer, constant voltage, is intended for the operation of dimmable single colour e.g. constant voltage LED strips or comparable dimmable single colour constant voltage LED lamps/lights from the 12/24vDC board supply system. Maximum output: 12v 30w; 24v 50w. For use in dry rooms only.

2.0 Functional Features

The touch dimmable constant voltage LED Driver's special electrical protection functions are designed for the harsh environmental conditions on board. It's dimming features allow comfortable, current-saving LED lighting systems.

Safety Note

- install by competent personnel only
- as spare, use a mini blade fuse 3A only
- **Reverse Polarity** destroys device - no warranty!



3.0 Installation

Caution: Prior to Installation

- **disconnect the board supply - no voltage present**

Connect the device as shown on the wiring diagram. It should be mounted in a cool and ventilated location, away from sources of heat. Keep the wires to the e.g. LED Strips as short as possible.

4.0 Operation

Is done by touching the middle of the faceplate with the finger tip. Functions:

- short touch (<1 s): from OFF to fully ON or from ON to OFF.
- LED's are ON: long touch (>1 s) and hold: changes brightness
- LED's are OFF: long touch (>1 s): ON with auto-off after 60 min.
- the backlight on the device is blinking if proximity or any touch is detected

5.0 Liability: The manufacturer can not be held responsible for damage resulting from the use of the touch dimmable constant voltage LED Driver.

Any non-observance of the installation and operating instructions may cause fire or other hazards.



file: ses\instruct\bed\ba2151A0r.LWP rev. 06/20 © 2015-2020 SES	
SES Services GmbH	info@ses-services.net

Lösung / Solution	sicherstellen, dass LED-Leuchte dimmbar ist, wie z.B. bei LED-Streifen <i>make sure that LED luminaire is dimmable as for example LED Strips</i>
Problem	dimmt nicht <i>no dimming</i>

